

Name \_\_\_\_\_ Pedigree problems

1) Draw this pedigree: Richard married Lisa and they had Paul, Jim, Mary and Diane. Paul got married to someone named Bonnie and gave birth to Scott and Heather. Heather was the only person in the family to suffer from a strange disease. Shade her in.

2) Do you think the disease above is... dominant or recessive?

3) Yes no If Heather married a homozygous normal male (NN), will her children be show symptoms of the disease?

4) \_\_\_\_\_ What would the genotype of their children be?

5) Draw and Label this pedigree: John and Anne have Heidi and Joanne for daughters. Jack and Heidi are married. Heidi's daughter is named Mollie. John, Heidi, Mollie have deformed ears. Shade in their shapes to show that a genetic disease affects them.

6) What type of disease do these deformed-eared people have?

Dominant or recessive?

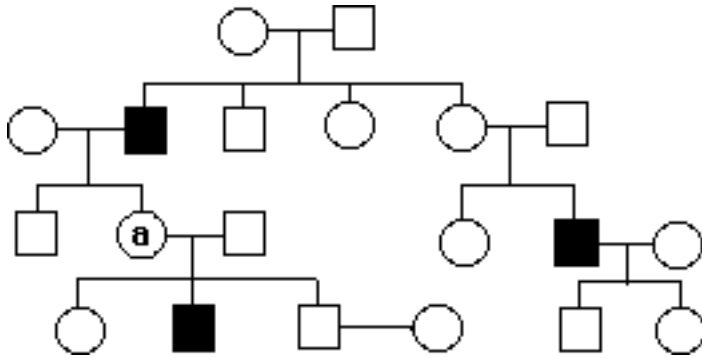
7) Is the Deformed ear disease.... autosomal or sex-linked?

8) If Mollie (Hh) marries Mark (hh) = normal ears) what percentage of their children will have deformed ears? Use a Punnet square to get the results.

What is the mode of inheritance of this pedigree below?

9) Autosomal or sex-linked?

10) Dominant or recessive?



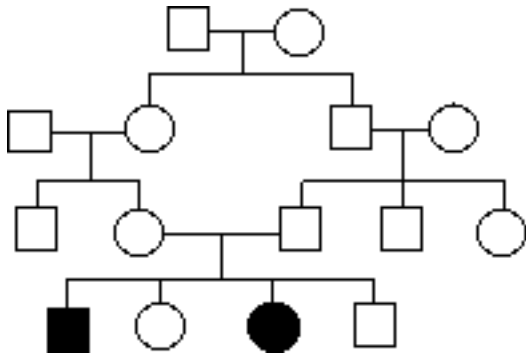
11) What is the genotype of the oldest mother? Remember the X's and Y's! \_\_\_\_\_

12) Her husband? Remember the X's and Y's! \_\_\_\_\_

13) What is the genotype of woman "a"? Remember the X's and Y's! \_\_\_\_\_

What is the mode of inheritance of this pedigree below?

14) Autosomal or sex-linked? 15) Dominant or recessive?



What is the mode of inheritance of this pedigree below?

16) Autosomal or sex-linked?

17) Dominant or recessive?

